



Renato Multi-pendant Us

£455

Regular

£364

Membership

Product details

Influenced by the glamour of traditional American interiors, the Renato multi pendant features a fixed brass finish frame with five faceted glass cylinders that hang at different heights, casting distinctive light patterns. Look for similar styles in our North American Houses, including Brooklyn's DUMBO House.

- Antique brass finish multi pendant
- Five glass cylinders
- Requires 1 x G9 halogen or LED bulb/ max 28W
- Pair with other pieces in the Renato range
- Inspired by DUMBO House

Dimensions

Product dimensions: H128 x W45 x D45cm / H50.4 x W17.7 x D17.7"

Product weight: 6kg / 13.2lbs

Packaged or boxed dimensions: H56 x W52 x D27cm / H22 x W20.3 x D10.6"

Packaged or boxed weight: 7.6kg / 16.8lbs



Details

Material: Glass and Brass

Cable & Ceiling Rose

Cable Length: 39.3"

Height Adjustable: Yes

Minimum Height: 18.1"

Maximum Height: 50"

Ceiling Rose Diameter: 15.7"

Bulb Specification

Bulb Specification: 5 / G9 / 25W Maximum

Bulb(s) Included: No

Assembly & Technical

Self-assembly Required: Yes

Electrician Required: Yes

Dimmable: Yes. Please consult a qualified electrician regarding compatible bulbs for your dimmer switch system.

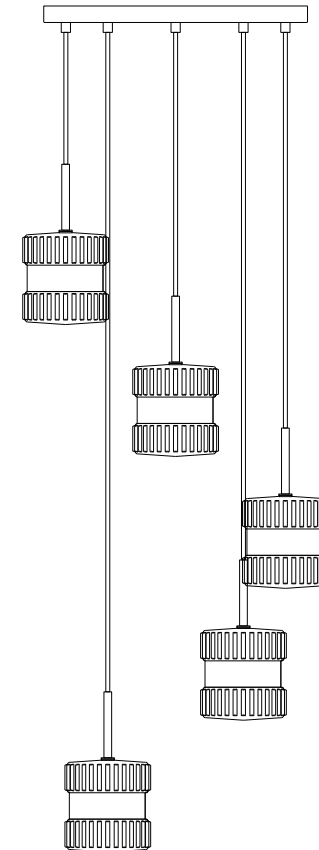
Care Instructions: Clean with a soft dry cloth only. Do not use polishing agents, harsh chemicals or abrasive cleaners as they may damage the finish. Always switch off the electricity supply before cleaning.



SOHO HOUSE



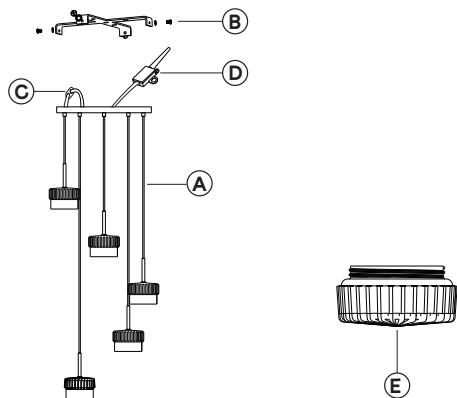
SOHO HOUSE



RENATO MULTI-PENDANT

74542690

PARTS LIST



- (A) Ceiling light (x1)
- (B) Mounting bracket (x1)(attached on ceiling cup)
- (C) Cable clip(x5)
- (D) Terminal block (x1)
- (E) Glass shade (x5)

PRODUCT DIMENSION

1280H x 450Dia mm(50.4H x 17.7Dia inch)

IMPORTANT SAFETY INSTRUCTIONS

- These instructions are provided for your safety.
- Please read instructions carefully and completely before beginning the assembly and installation of this lighting fixture.
- This fixture has been rated for up to five (5) G9 28Watt Maximum light bulb (not included). To avoid the risk of fire, do not exceed the recommended lamp wattage. Dispose of old bulbs with care.
- For your safety: if the external flexible cable becomes damaged, it must be exclusively replaced by a qualified person in order to avoid any danger or the lighting fixture must be discarded.
- Unless otherwise marked / illustrated this lamp is meant for use in a dry, domestic, indoor environment only.
- The finish is only guaranteed against normal non-aggressive atmospheric conditions.
- Do not fit in locations near a heat source, the sea, or in polluted atmospheres.
- Please retain these instructions for future reference. If the product is sold please ensure the instructions are left with the appliance for the benefit and safety of the new owner.

If you need help or have damaged or missing parts, our team is here to assist.

Please email hello@sohohome.com or call +44 (0)20 3819 8199



This light fixture is classified as Class I(Earthed)

WARNING

- Electricity can be dangerous.
- Disconnect the power supply at the fuse box before installation.
- Installation must be carried out by a competent person.
- If in any doubt consult a qualified electrician.
- Installation must comply with current local and national wiring regulations.

CHILD SAFETY

- Do not allow children to tamper with the product.
- Keep packaging out of reach of children.

INSTALLATION

- Take care when handling and installing to avoid damage to the product.
- Remove all parts and hardware from box along with any plastic protective packaging.
- Do not discard any contents until after assembly is complete to avoid accidentally discarding small parts or hardware.
- Avoid mounting the fitting on a damp surface such as newly painted or plastered area. This may cause discoloration of the finish.
- When installing and whenever acting on the appliance ensure that the power supply has been switched off.

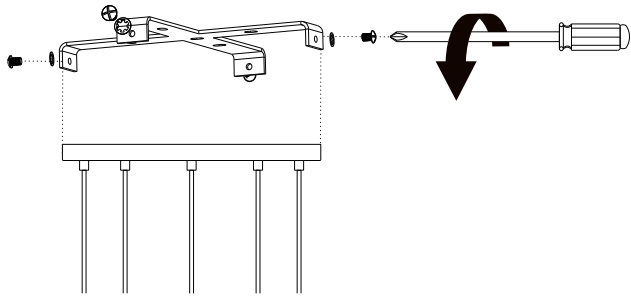
CARE INSTRUCTIONS

- Wipe clean with a soft, dry cloth or static duster only.
- Always avoid the use of polishing agents, water, harsh chemicals or abrasive materials when cleaning as they may cause damage to the fixture.
- Always switch off the electricity supply before cleaning.

TOOLS REQUIRED (Not Supplied)

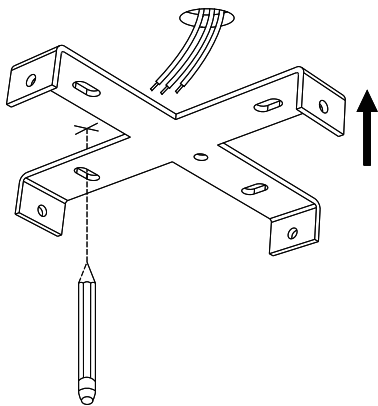
- Cross Head Screwdriver
- Flat Head Screwdriver
- Pencil
- Drill
- Insulation Tape

1



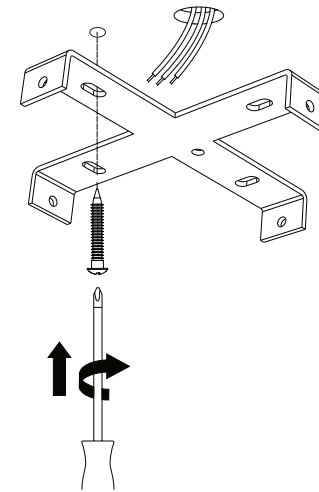
Remove the fixing screws and mounting bracket (B) from ceiling cup and retain for later use.

2



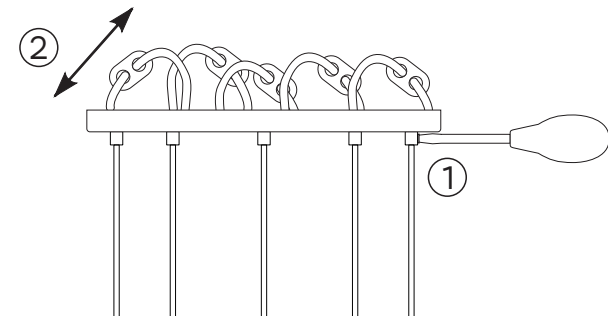
Using the bracket (B) as a template, mark and drill fixing holes in the ceiling.
Due to the variety of different ceiling types Soho Home cannot provide you with the exact fittings needed to fix this product to the ceiling. Different materials require different types of fittings.

3



Attach the bracket (B) onto the ceiling using suitable fittings.
You will need to choose fittings that are specifically suited to the ceiling type and material you have. If you are unsure about what type of fittings to use please consult your local hardware store and/or qualified tradesperson to get the appropriate fittings.

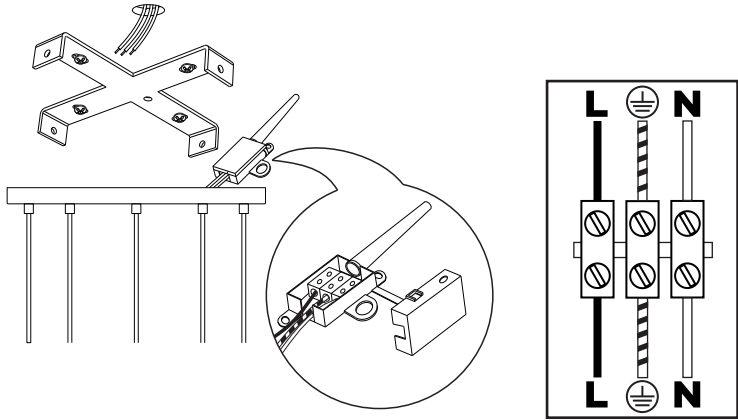
4



The height of the drop may be adjusted prior to electrical installation.
1). Loosen the plastic cable retaining screw located on the underside of the ceiling cup with a correctly sized screwdriver.
2). Gently pull the excess cable through the ceiling cup until the desired length is achieved. moving the cable grip (C) to reach the cable outlet.

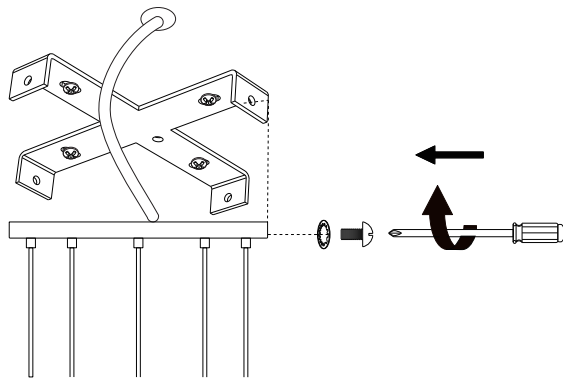
Retightening the plastic screw to secure the cable in place. Any excess cable should be neatly tucked away into the ceiling void.

5



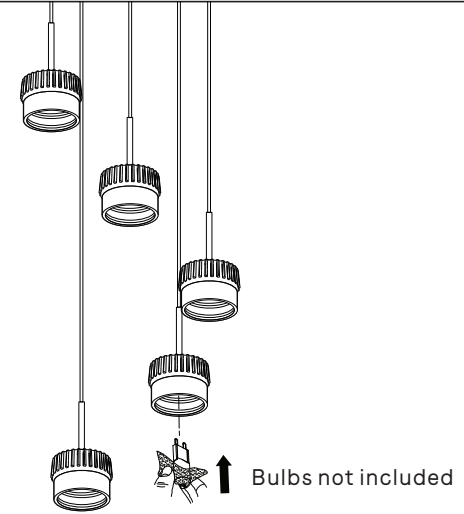
Connect the supply wires to the terminal block (D), opposite the corresponding wires from the fitting. Ensure that connections are tight and no loose strands of wire are left out of the connector block.

6



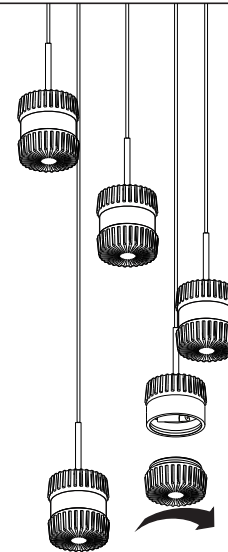
Use the fixing screws (B) provided to secure the fitting to the pre fixed bracket (B) ensuring that the fixing points can bear the total weight of the fitting.

7



Insert the specified light bulb into the lampholders.
DO NOT EXCEED THE SPECIFIED WATTAGE.

8



Secure the shade (E) over sockets in a clockwise direction until tight.
Ensure threads are properly aligned before tightening by hand.
DON'T OVERTIGHTEN!