



## Amery Bed, Emperor

£2,335

Regular

£1,868

Membership

### Sizes

Emperor

### Product details

Inspired by Soho House Amsterdam, our oak Amery bed is upholstered in a textured boucle fabric, with carved detail that runs along the boucle-blend headboard. The bed is mounted onto solid wooden spheres, making it a statement piece for any bedroom.

- Oak bed
- Rails upholstered in boucle
- UK emperor size
- Solid wooden spheres
- Grey boucle-blend headboard
- Carved wooden detail runs through headboard
- Channel detail on the outer edge
- Inspired by Soho House Amsterdam

### Dimensions

Product dimensions: H160 x W224.5 x D222.5cm / H63 x W88.4 x D87.6"

Product weight: 151kg / 332.9lbs

Number of boxes: 3

\* Box 1 : H176 x W252 x D19cm / H69.1 x W99 x D7.3"

\* Box 2 : H40 x W66 x D51cm / H15.7 x W25.8 x D19.9"

\* Box 3 : H39 x W242 x D32cm / H15.2 x W95.3 x D12.6"



## Details

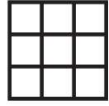
Headboard: H160 x W239 x D4.5 cm / H63 x W90.1 x D1.8"

Material: Oak, Oak Veneer and Poplar

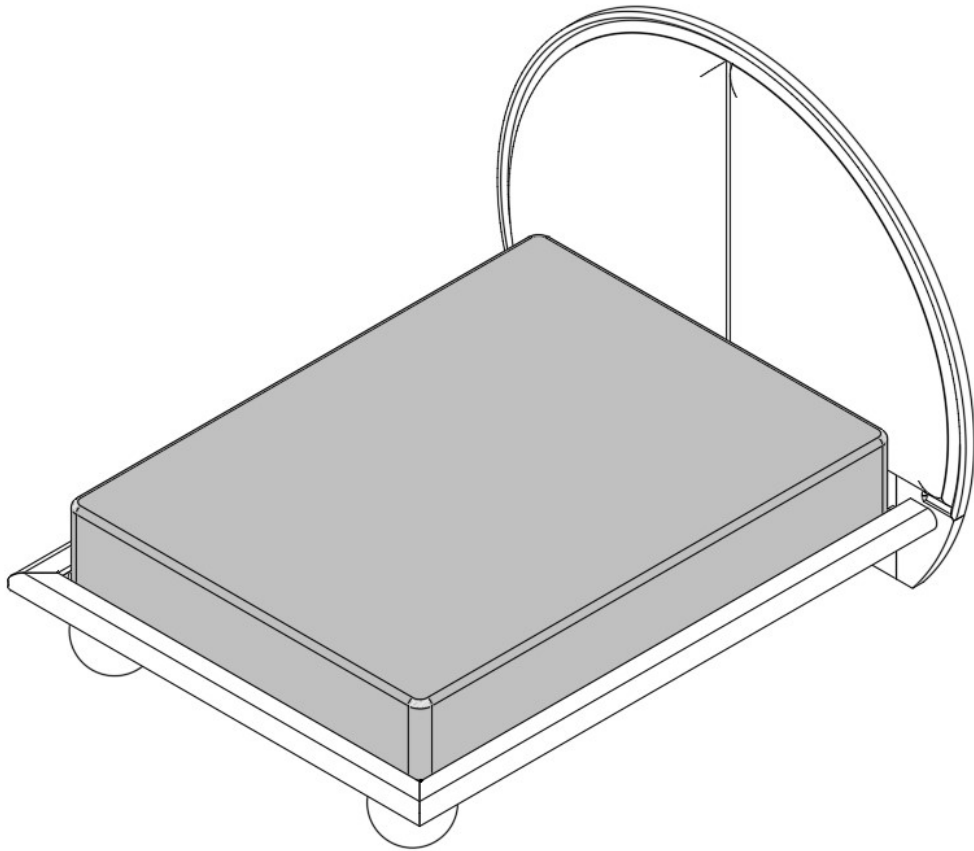
Feet: Plastic glide

Assembly Required: Yes

Care Instructions: Dust often using a clean, soft, dry and lint-free cloth. Blot spills immediately and wipe with a clean, damp, cloth. We do not recommend the use of chemical cleansers, abrasives or furniture polish. Avoid direct contact with liquids.

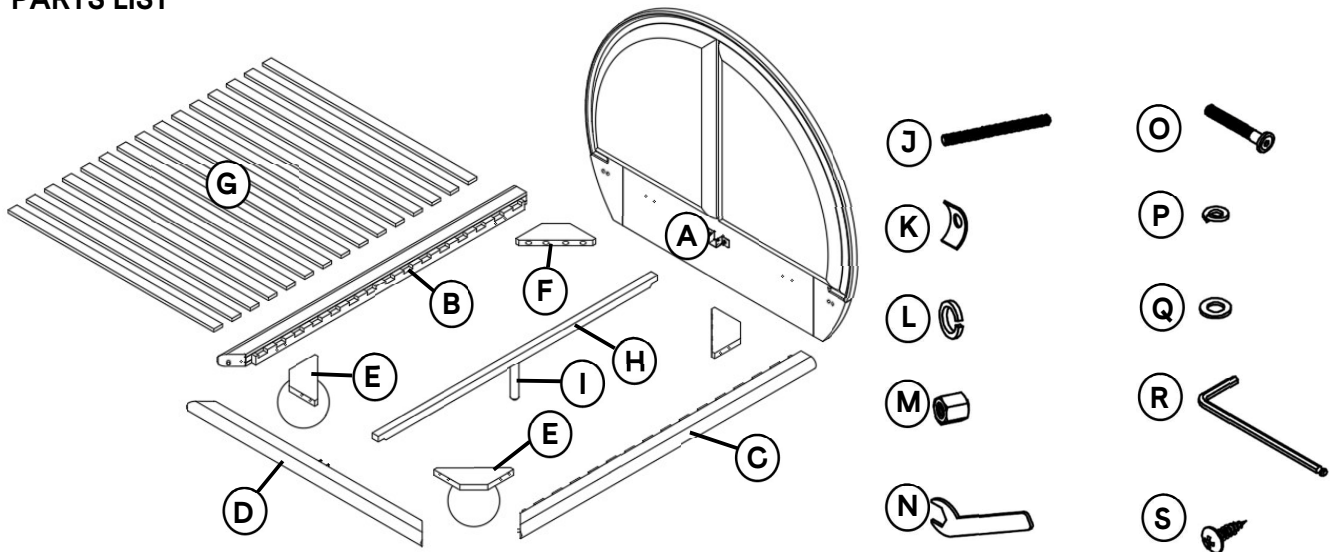


SOHO HOUSE



**AMERY BED**

## PARTS LIST



- |                                   |   |
|-----------------------------------|---|
| <b>(A)</b> Headboard (x1)         | <b>(J)</b> Threaded Rod - M8 x 100mm (x4)                   |
| <b>(B)</b> Left Side Rail (x1)    | <b>(K)</b> Curved Washer - 15 x 8.5 x 2mm (x6)              |
| <b>(C)</b> Right Side Rail (x1)   | <b>(L)</b> Lock Washer - $\phi 14$ x $\phi 9$ x 2mm (x6)    |
| <b>(D)</b> Footboard (x1)         | <b>(M)</b> Hexagonal Nut - M8 x H15 x D14mm (x6)            |
| <b>(E)</b> Base (x2)              | <b>(N)</b> Spanner Wrench - D14.5 x 100mm (x1)              |
| <b>(F)</b> Corner Block Wood (x2) | <b>(O)</b> Allen Bolt - M6 x 55mm (x16)                     |
| <b>(G)</b> Slats (1set)           | <b>(P)</b> Lock Washer - $\phi 10$ x $\phi 6.5$ x 1mm (x16) |
| <b>(H)</b> Support Rail (x1)      | <b>(Q)</b> Flat Washer - $\phi 12$ x $\phi 6.5$ x 1mm (x16) |
| <b>(I)</b> Support Leg (x1)       | <b>(R)</b> Allen Key - 57 x 23 x D4mm (x2)                  |
|                                   | <b>(S)</b> Round-head Screw - M4x20mm (x4)                  |

## PRODUCT DIMENSIONS

UK Double 1861 x 2130 x 1600mm (73 1/4 x 83 7/8 x 63")

US Full 1861 x 2130 x 1600mm (73 1/4 x 83 7/8 x 63")

UK King 1971 x 2225 x 1600mm (77 5/8 x 87 5/8 x 63")

US Queen 1989 x 2257 x 1600mm (78 5/16 x 88 7/8 x 63")

UK Super King 2212 x 2225 x 1600mm (87 1/16 x 87 5/8 x 63")

US King 2327 x 2257 x 1600mm (91 5/8 x 88 7/8 x 63")

UK Emperor 2392 x 2225 x 1600mm (94 3/16 x 87 5/8 x 63")

US California King 2237 x 2359 x 1600mm (88 1/16 x 92 7/8 x 63")

## INSTRUCTIONS

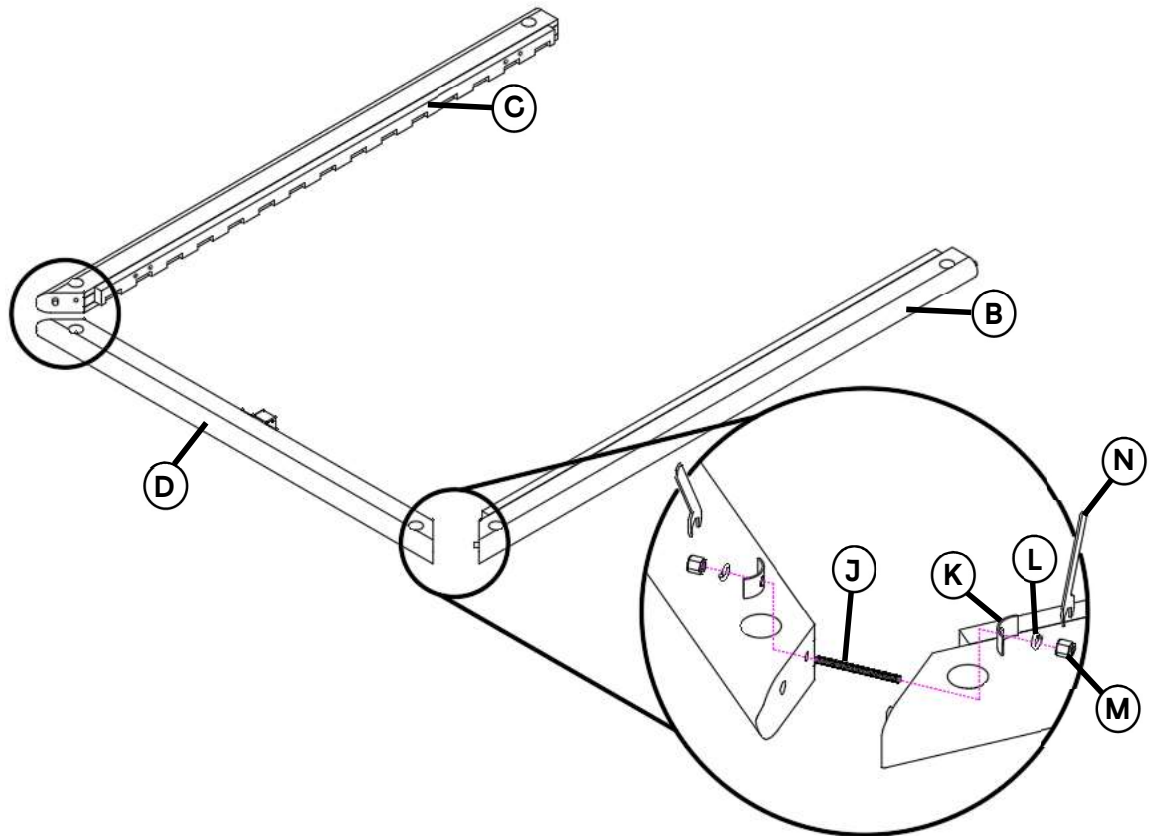
- Please read instructions carefully before assembling bed.
- Bed must be assembled by at least two people.
- Use the above parts and list to identify each component.
- Keep all packing materials until assembly is complete to avoid loss of smaller parts.
- Assemble on a soft level surface to avoid damaging the unit or your floor.
- We do not recommend the use of power drill/drivers for inserting screws - only use hand screwdrivers.



If you need help or have damaged or missing parts, our team is here to assist.

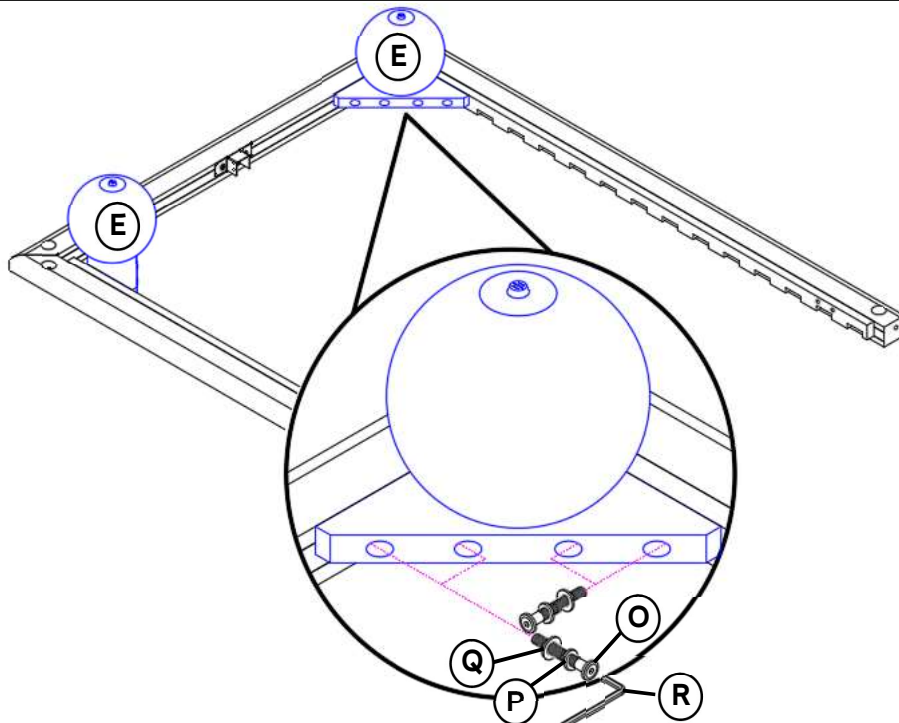
Please email [hello@sohohome.com](mailto:hello@sohohome.com) or call:

- UK/EU: (+44) 20 3819 8199
- US: (+1) 888 4333 218 (Toll-free)

**1**

Place all Side rails (B/C) and Footboard (D) upside down on a soft flat surface. Secure the threaded rod (J) to the borehole on the Footboard by Curve washer (K), Lock washer (L) and Hex nut (M). Align the rod with the borehole on the end of the Left side rail. Insert Curved washer (K), Lock washer (L) and place Hex nuts (M) on threaded rod (J) then tighten the Hex nuts (M) with Wrench (N) provided.

Repeat the above procedure with the Right side rail (C) to attach it to the Footboard.

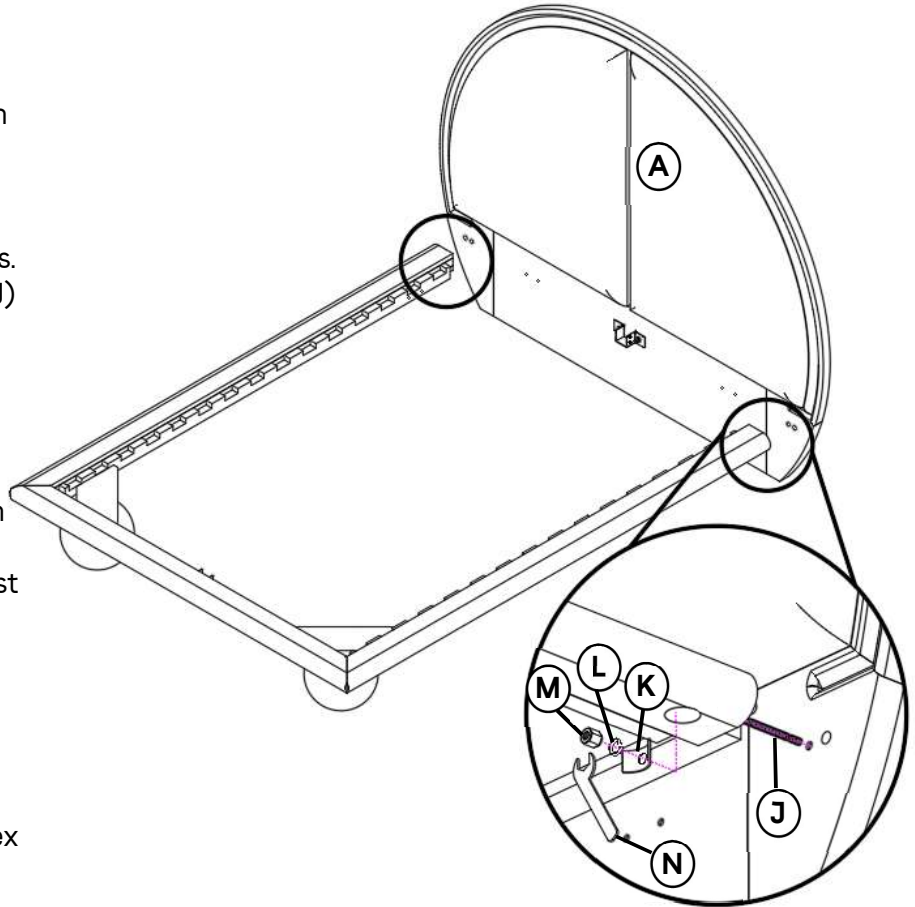
**2**

Attach the Base (F) into the Footboard and Side rails by using Allen bolts (O) together with Lock washers (P) and Flat washers (Q). Tighten all bolts with a Allen wrench (R) provided. **DO NOT OVER-TIGHTEN.**



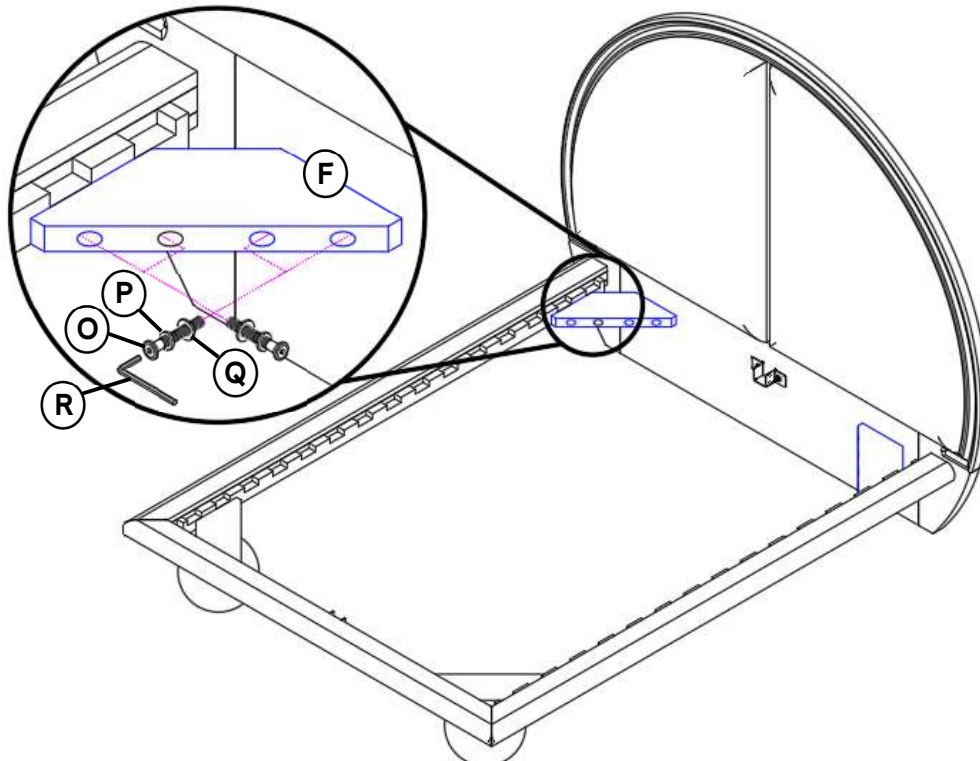
### 3

Place the Headboard (A) upright in the position you wish the bed to be in when fully assembled. The headboard bed fast hardware should be facing inside, toward the mattress. Secure the threaded rod (J) to the fixed nut in the Headboard by simply turning it manually. Raise the assembled Side rail up and place the rod (J) to align with the boreholes on the end of the Side rails. Put the Side rails up against the Headboard so the threaded rods (J) go through the bore holes. Insert Curved washer (K), Lock washer (L) and place Hex nuts (M) on threaded rod (J) then tighten the Hex nuts (M) with Wrench (N) provided.

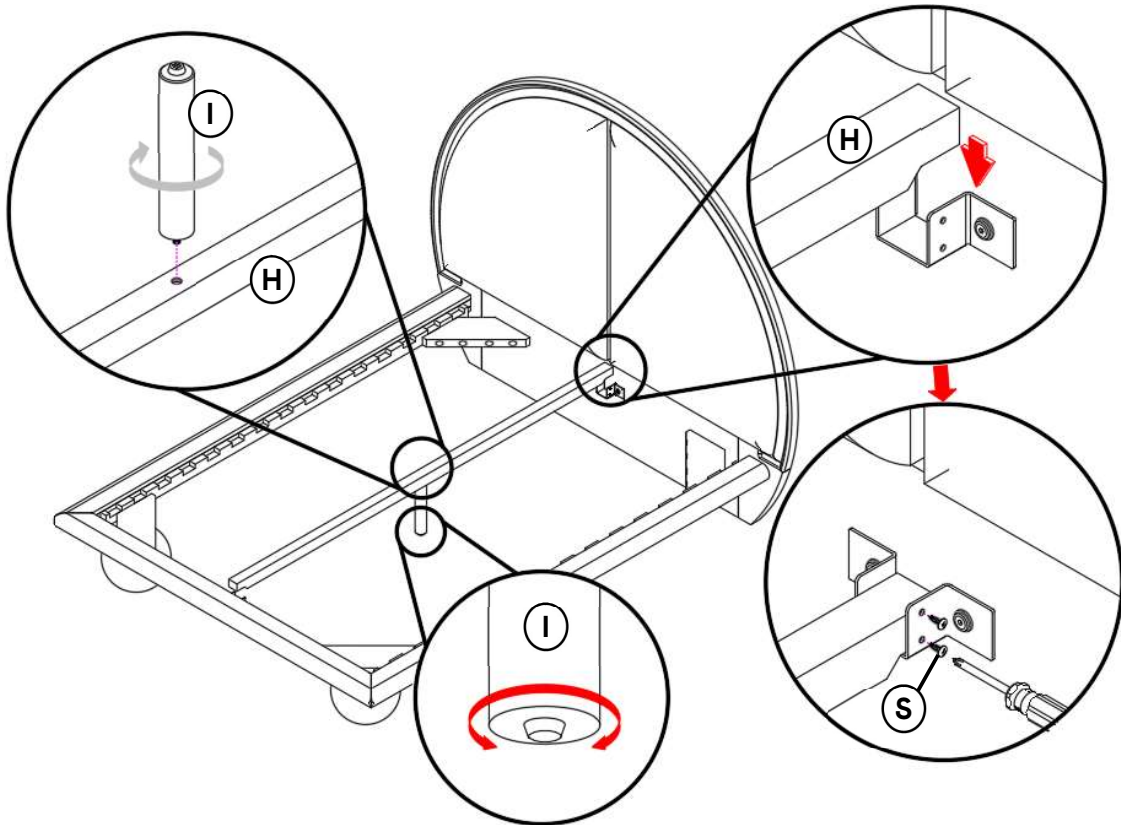


Repeat the above procedure with the other Side rail to attach it to the Headboard.

### 4



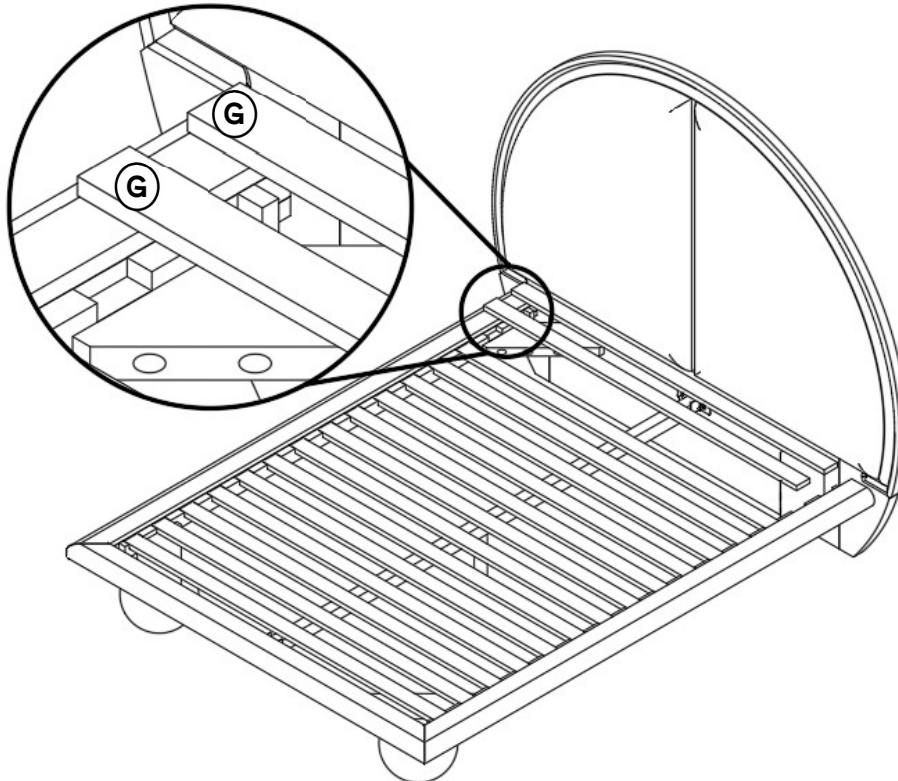
Affix the Wood block (F) into the Headboard and Side rail by using Allen bolts (O) together with Lock washers (P) and Flat washers (Q). DO NOT OVER-TIGHTEN.

**5**

Attach the Support leg (I) to the Support rail (H) by turning it manually.

There are pre-installed brackets on inside of both Headboard and Footboard for the Support rail (H). Set the slat Support rail (H) on the brackets. Once the support rail is set, secure this with the Screws (S) provided.

If necessary, adjust the leveler on bottom of the Support leg (I) to make sure the Support rail is level.

**6**

Set the bed slats (G) into the cavities on the slat holder rails of the side rails.